

PRODUCT DATASHEET

Confidex Viking™ Slim Quuppa



Confidex Viking™ Quuppa is supporting positioning system from Quuppa which is based on the latest Bluetooth technology and the angle-of-arrival (AoA) methodology. It is designed to work seamlessly with Quuppa developed locators and applications. Confidex Viking™ Quuppa have passed Quuppa's own validation process and is certified as Quuppa Approved product.

ELECTRICAL SPECIFICATION

Device type

Bluetooth® Low Energy beacon, Battery powered

Wireless interface protocol

Quuppa proprietary protocol (tag library v1.2)

Compliance (Declaration of Conformity)

Europe (CE), UK (UKCA), USA (FCC), Canada (IC)

Operational frequency

ISM: 2401 - 2482 MHz

Includes Quuppa Proprietary Channels (2401/2482 MHz)

SOC

Nordic Semiconductor NRF52832

Memory configuration

512 kB FLASH, 64 kB RAM

Configuration interface

Quuppa locators and Quuppa Site Planner software

Sensors*

Built-in temperature sensor, LED, hall switch and accelerometer sensor

Sensitivity / Max transmit power

-96 dBm / +4 dBm

Read range**

Up to 100 m / 330 ft.

Battery type (total capacity)

Replaceable CR2477 (1000mAh) coin battery

Applicable surface materials

Can be attached to any surface

MECHANICAL SPECIFICATION

Housing material

High quality PC/ASA, white RAL9003 (15% recycled)

Enclosure IP class

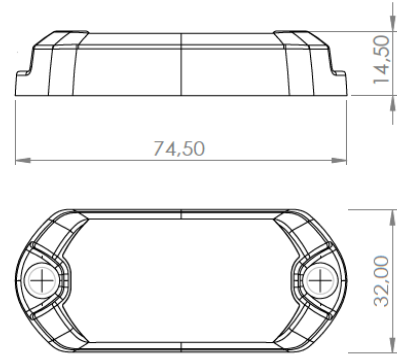
IP67

Weight

25 g

Tag dimensions

74,5 x 32 x 14,5 mm / 2.95 x 1.26 x 0.57 (M5 size hole)



ENVIRONMENTAL RESISTANCE

Operating temperature

-20°C to +60°C / -4°F to +140°F

EN 60068-2-14: 2009, Test N: Change of temperature

Vibration resistance

EN 60068-2-6: 2008, Test Fc: Vibration, 10G

EN 60068-2-27: 2009, Test Ea: Shock, 20G

ESD immunity

±8 kV according to EN 61000-4-2 (air discharge)

±4 kV according to EN 61000-4-2 (contact discharge)

Chemical resistance ***

No physical or performance changes in:

- 168h Motor oil exposure
- 48h Salt water (salinity 10%) exposure
- 48h Sulfuric acid (10%, pH 2) exposure
- 48h NaOH (10%, pH 13) exposure

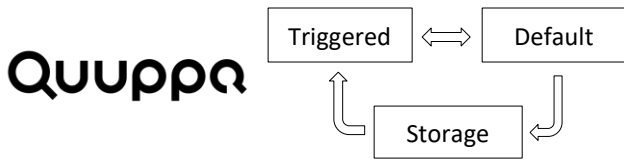
Generally good resistance with moderate concentrations of acids, alcohols, alkalis, detergents, and cleaners. Acetone should be avoided.

* Temperature sensor is located inside the housing, which limits real time measurement of the ambient temperature.

** Read ranges can vary significantly depending on the mounting surface and environment.

***Values are the best recommendations; resistance against environmental conditions depends on the combination of all influencing factors, exposure duration and chemical concentrations. Thus, product's final suitability for certain environmental conditions is recommended to be tested. Contact Confidex for more specific information.

OPERATING MODES



Confidex Viking™ Quuppa tag utilizes Quuppa proprietary frame formats, and the functional logic consist of 3 different states of which it can operate and shift between: **Triggered**, **Default** and **Storage**.

Confidex Viking™ Quuppa tag is activated by shaking it, which changes the tags operational state from **storage** to **triggered**. After a defined timeout, if tag has not been active, it moves to a **Default** state, where it stays wake-up and moves back to the **Triggered** state, if activated again. After a longer timeout in **Default** state, the tag goes to power saving mode in the **Storage** state, where it can be triggered again by shaking it.

Confidex Viking™ Quuppa comes with storage settings by default. Before deployment, it must be configured with Quuppa Site Planner software, and it can be personalized with a custom label to ease the deployment and tag identification in the field.

INSTALLATION INSTRUCTIONS

1. Mechanical fixing – Screw

Mechanical fixing is recommended to be used in every application that includes risk for high mechanical stress or low temperature during tag fixing. Screw size M5 is to be used for fixing.



2. Mechanical fixing – Cable tie

Plastic or metallic cable ties can also be used for fixing Confidex Viking™. Maximum width of cable tie is 4 mm.

3. High performance acrylic adhesive

When mounting the tag with adhesive, clean and dry the surface for obtaining the maximum bond strength.

ORDER INFORMATION

3004127 Confidex Viking™ Slim Quuppa

- White, default configuration and no label

3004192 Confidex Viking™ Slim Quuppa Sample Kit

- Contains 5 pcs of 3004127

Availability: Please contact Confidex Smart Industries Sales at www.confidex.com/contact-us

For additional information and technical support, please contact us in contact.BLE@confidex.com

DISCLAIMER

THE MATERIALS, PRODUCTS AND SERVICES ARE SOLD SUBJECT TO ITS STANDARD CONDITIONS OF SALE, WHICH ARE INCLUDED IN THE APPLICABLE DISTRIBUTOR OR OTHER SALES AGREEMENT. ALTHOUGH ANY INFORMATION, RECOMMENDATIONS, OR ADVICE CONTAINED HEREIN IS GIVEN IN GOOD FAITH, CONFIDEX MAKES NO WARRANTY OR GUARANTEE, EXPRESS OR IMPLIED, (i) THAT THE RESULTS DESCRIBED HEREIN WILL BE OBTAINED UNDER END-USE CONDITIONS, OR (ii) AS TO THE EFFECTIVENESS OR SAFETY OF ANY DESIGN INCORPORATING ITS PRODUCTS, MATERIALS, SERVICES, RECOMMENDATIONS OR ADVICE. EXCEPT AS PROVIDED IN CONFIDEX STANDARD FOR ANY LOSS RESULTING FROM ANY USE OF ITS MATERIALS, PRODUCTS OR SERVICES DESCRIBED HEREIN.

Each user bears full responsibility for making its own determination as to the suitability of Confidex products, materials, services, recommendations, or advice for its own particular use. Each user must identify and perform all tests and analyses necessary to assure that its finished systems incorporating Confidex products, materials, or services will be safe and suitable for use under end-use conditions. Nothing in this or any other document, nor any oral recommendation or advice, shall be deemed to alter, vary, supersede, or waive any provision of this Disclaimer, unless any such modification is specifically agreed to in a writing signed by Confidex.

This device complies with Part 15 of the FCC Rules. Operation is subject to the following two conditions: (1) this device may not cause harmful interference, and (2) this device must accept any interference received, including interference that may cause undesired operation.

